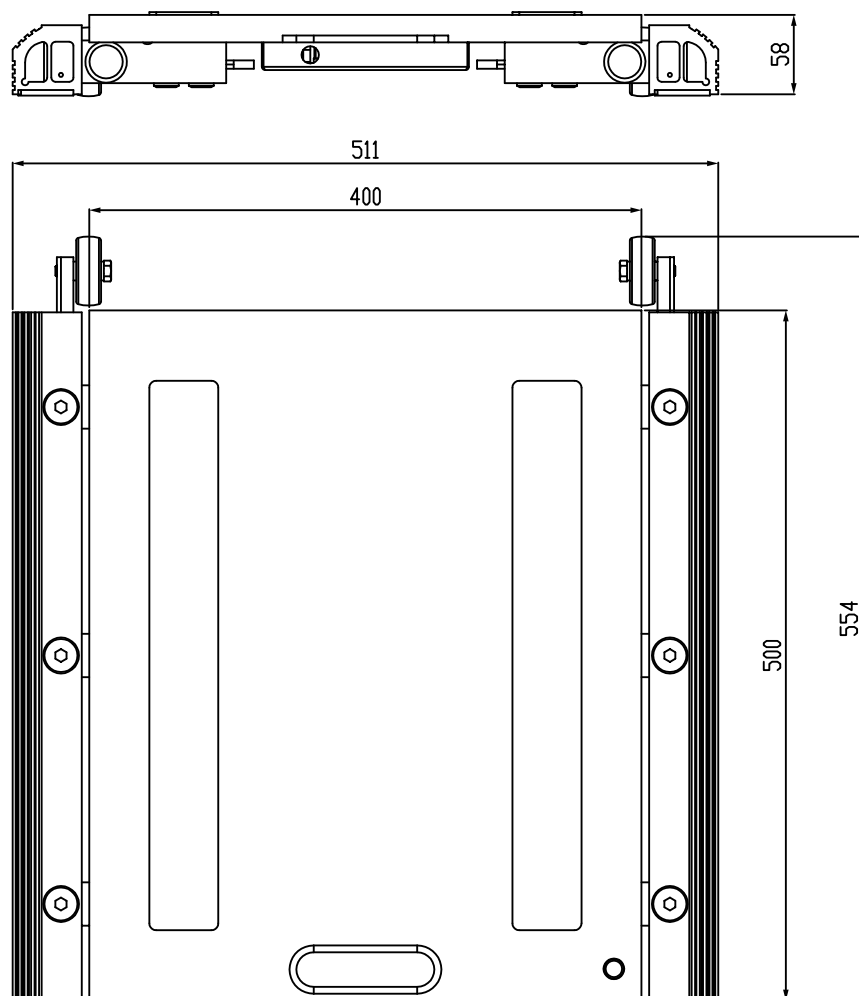
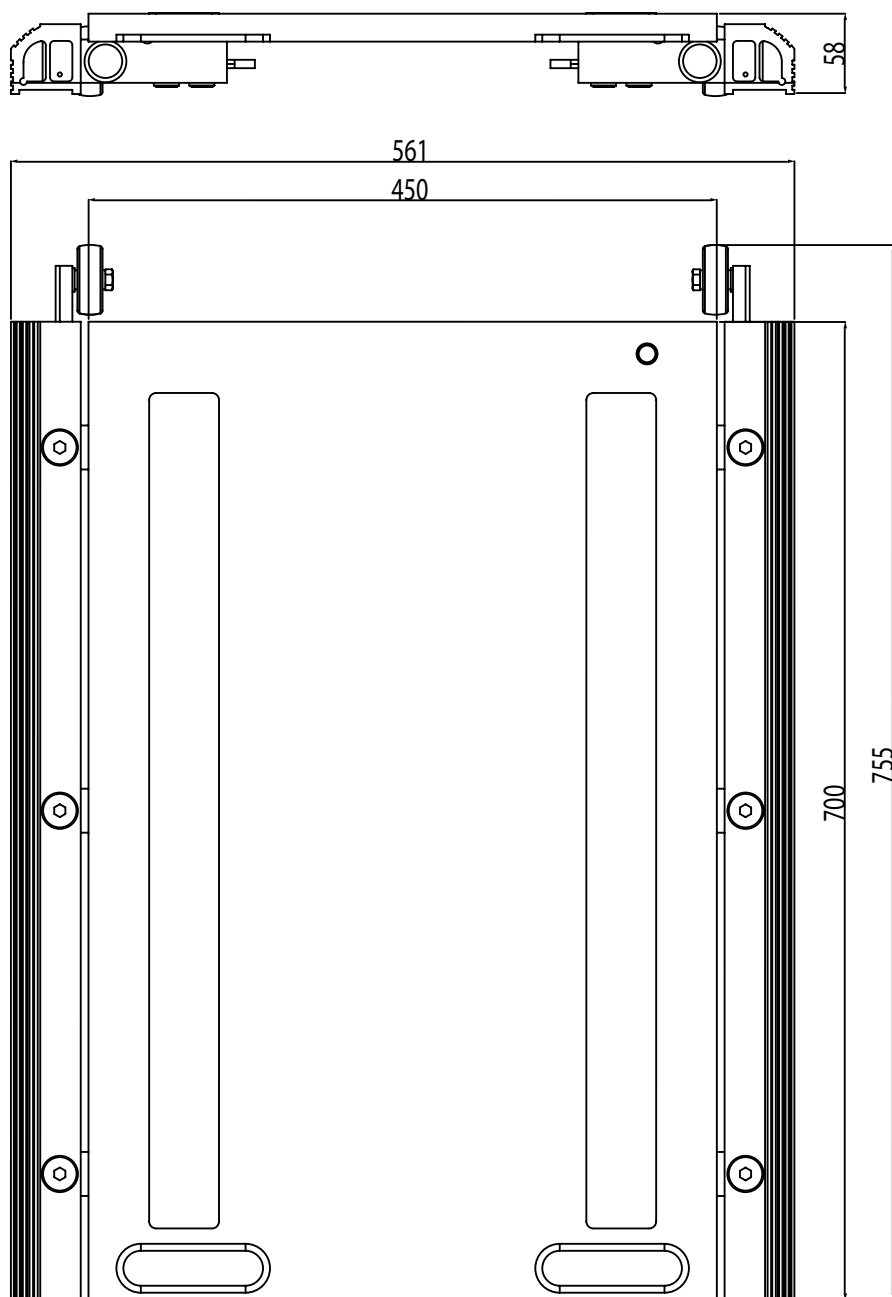


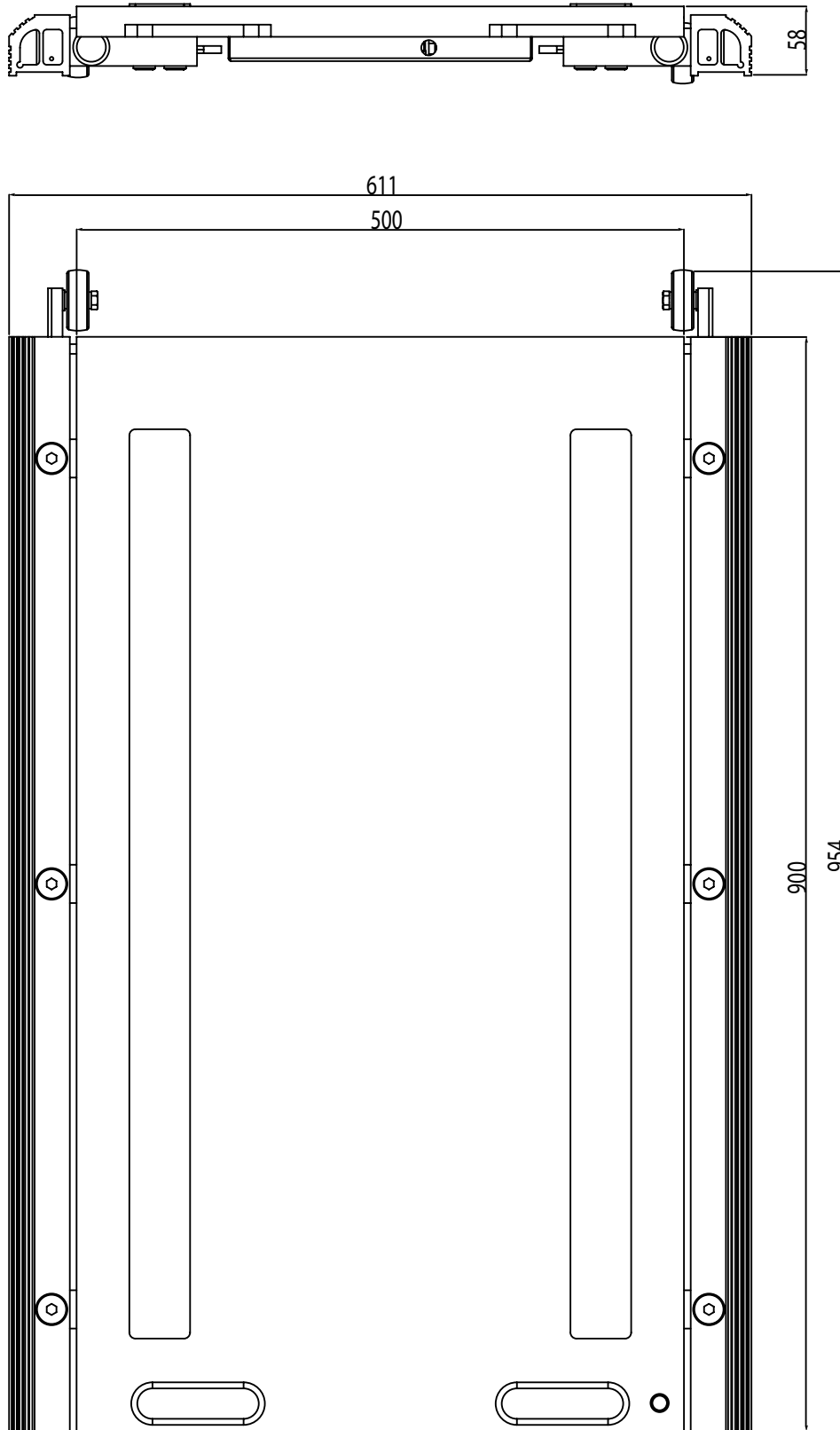
dimensions in mm



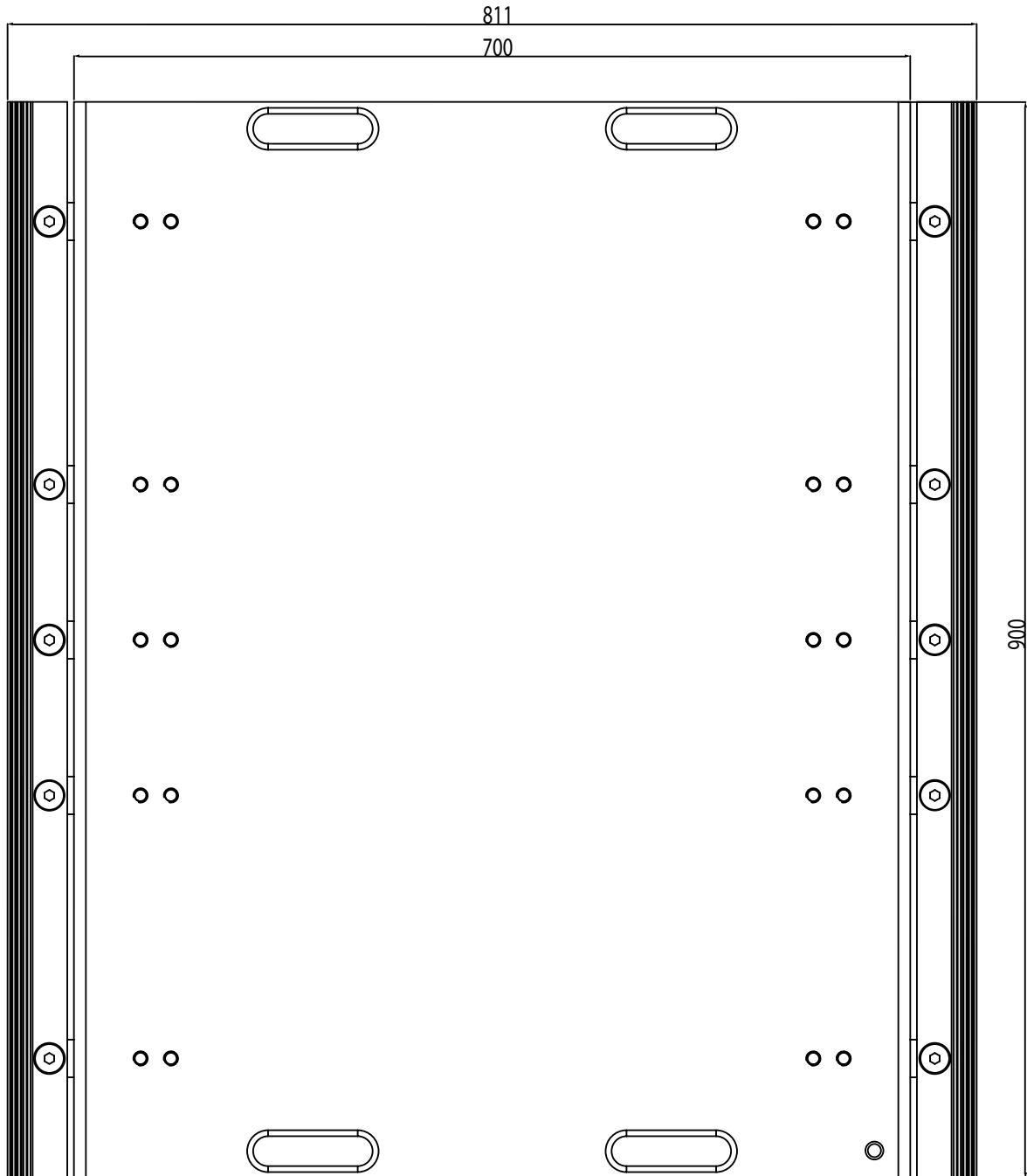
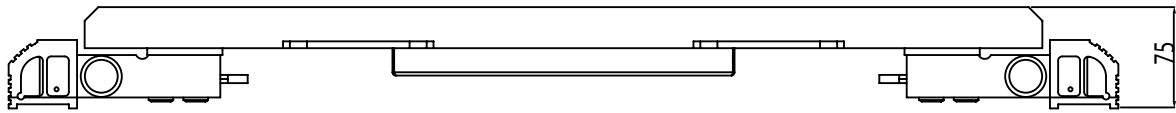
dimensions in mm



dimensions in mm



dimensions in mm



dimensions in mm